

Thermographic Body Temperature Measurement Camera

SM080TIPH



Main Features

- Korean technology applied / manufactured (lens / electronic module / housing / software)
- Includes 64 channel software program free of charge
- Real time monitoring and fast response (30 FPS)
- Network (TCP/IP, UDP)

Product Specification

- Array Size : 80x80(Pixel Pitch : 34 μ m)
- Frame Rates : 30fps
- Output : TCP/IP, UDP (Network)
- Time to First Image : <2.0 Sec.
- Power : Input Voltage(DC 5V, 1A), Consumption(<2.5W)
- Radiometric Accuracy : $\pm 1^{\circ}\text{C}$ (30 $^{\circ}\text{C}$ ~40 $^{\circ}\text{C}$)
- Optics(HFOV) : 58 $^{\circ}$ ($\pm 1^{\circ}$)

Main Function

Alarm

Image + Temperature display

Focus free

Event management

Logs for temperature information

Recording

Central monitoring

10 regions(Region of Interest)

Report

SPECIFICATION - SM080TIPH

FOCAL PLANE ARRAY

Detector Type	a-Si Microbolometer
Array Size	80 × 80
Pixel Pitch	34 μm
Spectral Band	8~14 μm
Sensitivity(NETD)	<100 mK @50Hz, F/1, 300K
Spatial resolution(IFOV)	12.64 mrad

THERMAL IMAGE FORMAT

Detector Frame Rates	30 fps.
Ethernet Interface	10/100 Based-T (RJ-45 Connector)
Data Streaming	IP Network
Automatic Gain and Level	Real Time Temperature Data
Display mode	AUTO
Non-Uniformity Correction	64 channels
Time to First Image	2-point Correction
	< 2.0 Seconds
	(After Network Connection)

MECHANICAL

Dimensions(H x W x D)	48 x 48 x 66 mm (W/O Bracket & Cable)
Weight with lens	200g
Data Cable	CAT5 or Higher(CAT5E,CAT6)

FEATURES

Available Command Protocols	IP, ARP, ICMP, SNMP
Alarm	DC 5V Wet Contact
Color	Color Palette(6 Color/Black&White)
Temperature Out	All points
Stable Time for Temperature out	<1.5 minutes
Target Temp. Range	0°C to +200°C
System NETD	0.1°C
Radiometric Accuracy	±1°C (30°C~40°C)

ENVIRONMENTAL

Operating Temp.	-10°C to +50°C
Humidity	5 to 95%

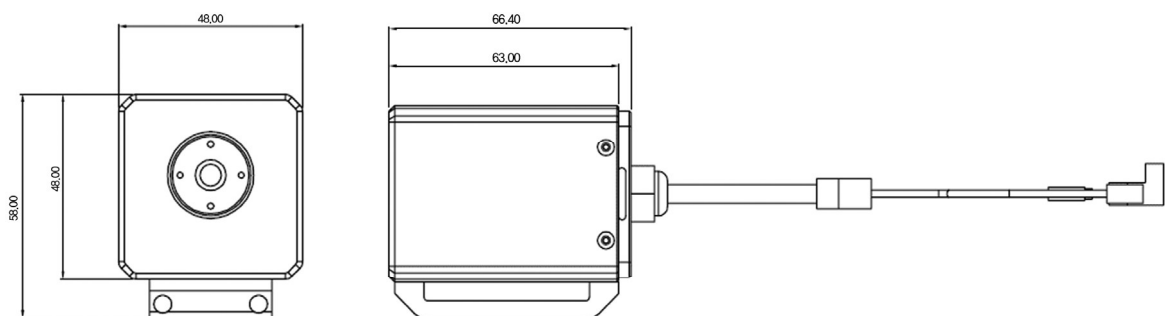
OPTICS

Horizontal FOV	58°
Lens Type	Athermalized

POWER

Input Voltage	DC 5V, 1A
Power Consumption (nominal)	< 2.5 W (Max.)

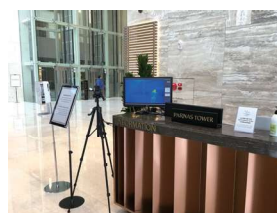
DRAWING



REFERENCE SITES



Site	KB Bank Tower
Model	SM080TIPH
Purpose	Monitoring the temperature of incoming personnel
Effect	Prevention of the Coronavirus



Site	Parnas Tower
Model	SM080TIPH
Purpose	Monitoring the temperature of incoming personnel
Effect	Prevention of the Coronavirus